



**REHAU TRITEC**  
SIMPLY SUPERIOR

UNRIVALLED QUALITY  
AND STYLE



# REHAU TRITEC

SIMPLY SUPERIOR

---



REHAU is the premium worldwide brand supplying polymer-based windows, doors and conservatories to professional fabricators and installers. Our products are unrivalled in quality, technological innovation and exceptional design.

Our REHAU Tritec window and door systems are market leaders; here we explain why.

REHAU Tritec is our 60mm window and door system, designed to aesthetically complement both chamfered and sculptured options to create beautiful contemporary frames.

Superior design and technology lies behind every REHAU Tritec window and door system. It's crafted using PVC-U, which fully guarantees maximum efficiency and performance for your investment.

# REHAU TRITEC

## INTELLIGENTLY STYLISH

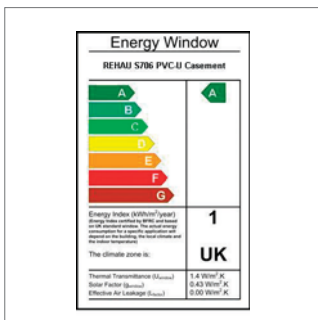


Chart shows Window Energy Rating for REHAU Trittec windows.

REHAU Trittec uses our smart technology to achieve greater energy efficiency for your home. Our multi-chamber design significantly reduces heat loss and keeps out draughts.

REHAU Trittec brings an incomparable number of features and benefits to your property:

### Noise reduction

The double-glazed sealed units considerably reduce outdoor noise levels, allowing you to relax in the peace and quiet of your home.

### Safety and security

REHAU Trittec window and door systems have achieved the British Standards BS7950 and PAS 23/24 security standards. The multi internal chambers allow further installation of larger steel reinforcements if required.

### Low or no maintenance

REHAU window and door systems contain a unique compound with a smooth gloss finish, guaranteeing they retain their pristine appearance. It also means they will never warp, rot or need regular painting.

Elegant and durable, REHAU Trittec systems offer unrivalled quality and style and fully meet BSI standards.

### Energy efficiency

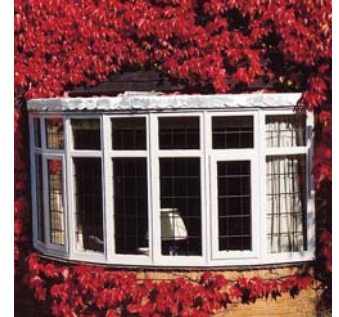
For excellent thermal properties and to achieve greater energy savings, REHAU Trittec windows can easily achieve an A rating, the highest possible Window Energy Rating (WER) for thermal efficiency. The more efficient your home, the more you save.

All REHAU windows can achieve the minimum requirement, a C-rated Window Energy Rating (WER), and can therefore carry an 'Energy Saving Recommended' mark.

REHAU windows and doors will comply with Part L Building Regulations providing the correct glazing unit is used. For windows this requirement is an overall U-Value of 1.6 W/m<sup>2</sup>K and for doors 1.8 W/m<sup>2</sup>K.

# REHAU TRITEC

## THE CHOICE IS YOURS



White



Golden Oak

When you've decided on your preferred REHAU system, it's time to choose the look and finish.

### Choose your style

French windows and doors, 'tilt and turn' windows, bay or bow casements, run-through sash horns or Georgian bars. Whatever style suits you best, the REHAU Tritec system can provide.

### For windows choose from:

- Casement windows with internal or external beading
- Bay or bow casements
- French windows (a good choice as fire escape windows)
- 'Tilt and turn' and pivot windows (great for easy cleaning from the inside)

### For doors choose from:

- French doors – the popular alternative to sliding patio doors
- Multi-fold doors – open up your kitchen or living area to the outside world. Also perfect for indoor open-plan living
- 'Tilt and slide' patio doors
- Stable doors – particularly suited to older style properties
- Residential front doors

- Composite doors
- Porches and conservatories (window and door elements)

### Choose your finish

You can complement your interior by choosing white or a colour to match your décor on the inside and an alternative finish on the outside.

A modern White finish, Rosewood, Mahogany or Golden Oak woodgrain for a natural look, are all available as standard. There is also a choice of 25 non-standard laminate options available by special order including Anthracite Grey, Cream, Schwarzbraun (Black) and White Ash.

Further colour options from our unique REHAU Acryl II colouring system offer you a choice of 150 different colours.

Ask your installer about our REHAU Tritec range. To see more examples of REHAU window and door installations, visit [www.rehauhome.com](http://www.rehauhome.com) and order a copy of the REHAU window, door and conservatory brochure.



Schwarzbraun (black)

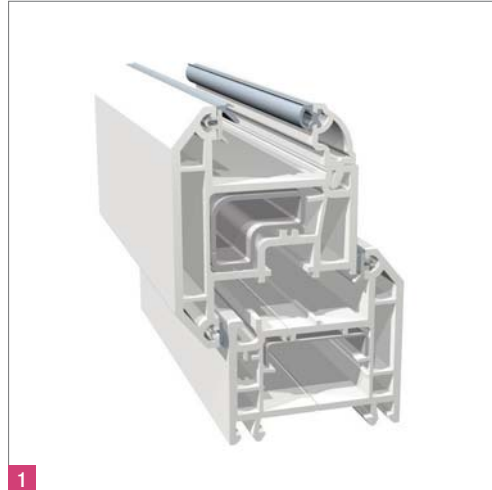


Cream

1 Acryl II colouring system

# REHAU TRITEC

## VERSATILITY



Fabricators and installers consistently recommend REHAU window and door systems to customers. They know they are delivering a quality product that will give full satisfaction.

Our systems are specifically designed to help the installation process run as smoothly as possible. The innovative technical specifications behind REHAU Tritec systems are described below:

The REHAU Tritec window and door systems include 24 main profiles in the range, together with numerous ancillaries and a wide choice of glazing beads.

This superb level of choice allows the construction of the following popular fenestration products, as well as the styles mentioned on the previous page:

- Pivot windows – for high-rise applications
- Residential doors – open in/open plus mid-rails and side panels; internally or externally beaded
- Ribbon/screen walling – together with REHAU structural linking elements, we provide fenestration solutions for commercial applications in offices, schools and hospitals, among many others.

The REHAU Tritec 60mm system is fully assessed by BSI (British Standards Institute) and BBA (British Board of Agreement).

### Key features of the REHAU Tritec window and door systems are:

- 60mm deep
- Choice of chamfered or sculptured sashes
- Low-level light grey gaskets for white profiles
- Like-coloured low-level gaskets for wood-effect laminate profiles
- Window Energy Ratings of A, B and C
- Conforms to BS EN12608:2003
- Improved security performance to BS7950 and PAS 23/24
- Synergy with REHAU European systems

1 Profile illustration showing casement window assembly

2 Low-level gasketry

# REHAU TRITEC

## SYSTEM TECHNOLOGY

All products accommodate glazing from single to 32mm glazing. The different features built into the system have been engineered with maximum efficiency and performance in mind.

### Fully integrated system

All REHAU Tritec profiles are designed to fit with each other, allowing greater versatility of window designs with fully welded construction - for example dummy mullions in sashes.

### Improved drainage path

Our improved drainage path allows water to drain more efficiently.

### Ancillary profiles

REHAU Tritec comes with a large range of ancillary profiles, including sills, angled head drips and square bay poles, couplers and frame extensions, which makes for easier fitting across all applications.

### Surface finish

REHAU's gloss and smooth surface finish are a mark of quality, providing a long lasting appearance and reduced maintenance.

### Three-chamber profile

All REHAU Tritec profiles include three chambers for improved thermal efficiency.

### 17/18mm stack height

Our larger windows come with a bigger stack height offering more space for fitting heavy-duty hinges.

### Low threshold

REHAU Tritec can offer a low threshold for wheelchair access to meet building regulations.

### Specification

REHAU Tritec window and door systems fully meet any domestic or commercial specification.

### Hardware fixed into steel

If required, the hardware used on REHAU 60mm profiles can be fixed into the steel reinforcement on both sash and frame. This allows for improved technical performance and superior security levels.

### Positive friction-stay location

To reduce the strain on screws and hinges, positive friction-stay location is added for improved performance.

### No hardware break-through

All lock gearboxes for the REHAU Tritec system are contained within the inner chambers of the profile providing a dry environment. No technical compromise means a prolonged life for locks.

### In-board Eurogroove

For improved security the Eurogroove is located in the middle of the profile, creating a stronger position for the lock and greater resistance to forced entry.

### Larger reinforcement chamber

To allow additional strength/rigidity when necessary, a larger reinforcement chamber enables a range of galvanised steels to be inserted for optimum performance.

### Fully assessed

REHAU Tritec has been assessed by BSI to BS EN12608:2003 and by BBA. Fabricators are able to achieve BS7412, BS7950 and PAS 23/24.



All REHAU white profiles are tested to the highest standards within BS EN12608, achieving a severe climate zone classification which is well above the moderate classification usually achieved for window profiles sold into the UK market.

---

#### **UK & IRELAND SALES OFFICES**

**London**, REHAU Ltd, The Building Centre, 25 Store Street, London WC1E 7BT Phone: 0207 580 6155 Fax: 0207 307 8595 **Slough**, Units 5 J & K, Langley Business Centre, Station Road, Langley, Slough SL3 8DS Phone: 01753 588500 Fax: 01753 588501 **Manchester**, Brinell Drive, Irlam, Manchester M44 5BL Phone: 0161 777 7400 Fax: 0161 777 7401 **Glasgow**, Phoenix House, Phoenix Crescent, Strathclyde Business Park, Bellshill, North Lanarkshire ML4 3NJ Phone: 01698 503700 Fax: 01698 503701 **Dublin**, 9 St. Johns Court, Business Park, Swords Road, Santry, Dublin 9 Phone: 00353 (0)1 8165020 Fax: 00353 (0)1 8165021

Our verbal and written application engineering advice is based upon experience and the best of our knowledge. However it is to be regarded as non-binding information. Working conditions and use under conditions for which the product was not intended and over which we have no influence exclude any claim resulting from our information. We recommend that a suitable check is made as to whether the REHAU product is suitable for the envisaged purpose. Application, use and processing of the products is carried out beyond the scope of our control and are therefore carried out exclusively at your own responsibility. If liability should still apply, then this is restricted, in the case of all damage, to the value of the goods supplied by us and used by you. Our warranty applies to the consistent quality of our products as per our specification and in accordance with our general terms and conditions of delivery and payment. This document is protected by copyright. All rights based on this are reserved. No part of this publication may be translated, reproduced or transmitted in any form or by any similar means, electronic or mechanical, photocopying, recording or otherwise, or stored in a data retrieval system.